

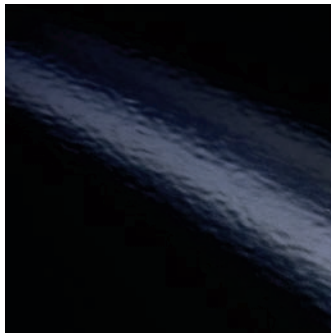
# Aesthetic Features U44

---

Rustic Brick Liner



Black Enameled Liner



Black Glass Liner



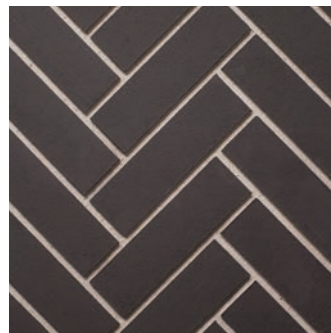
Ledgestone Liner



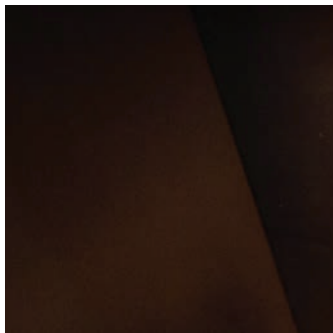
Herringbone Liner - SANDSTONE



Herringbone Liner - UMBER



Painted Steel Liner



Traditional Log Set



Birch Log Set



Driftwood Log Set



River Rock Set w/Twigs



Glass Media



# Forgeworks Face

The Forgeworks Face has been designed with a rustic, hand-crafted look and a hardier aesthetic. This face features a coarse dark finish with bronze highlights. Each face produced is uniquely treated for a distressed look..



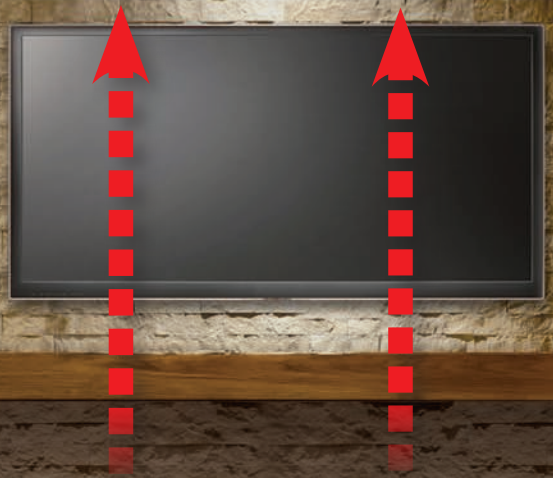
## INCLUDED WITH THE U37 & U44 COOL SURFACE SYSTEM

The Cool Surface System allows the fireplaces rising heat to move safely up the chase without creating excessive surface temperatures that can damage HDTV's or other wall mounted valuables.

*Rising heat is evenly vented forward into the living space above the chase*

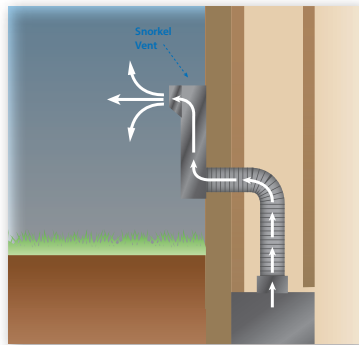
*Rising heat is channeled safely past valuable wall mounted items such as a TV*

*Heat radiates forward from the fireplace window*



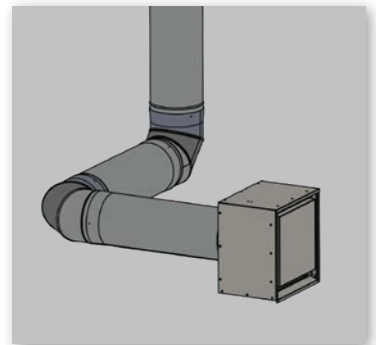
## Snorkel Vent Ready

A snorkel is permitted for use on U37 and U44 installations where additional vertical rise is required on the exterior of the building.



## Power Vent

An optional Power Vent is available to help move heat more efficiently.



## Chase Comfort Kit

Our Chase Comfort Kit is a compatible option for all Urbana Units.

