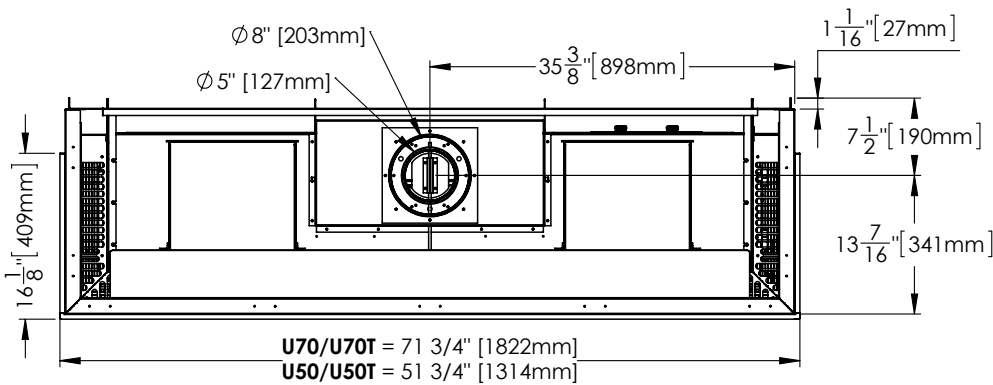


URBANA

LUXURY FIREPLACES

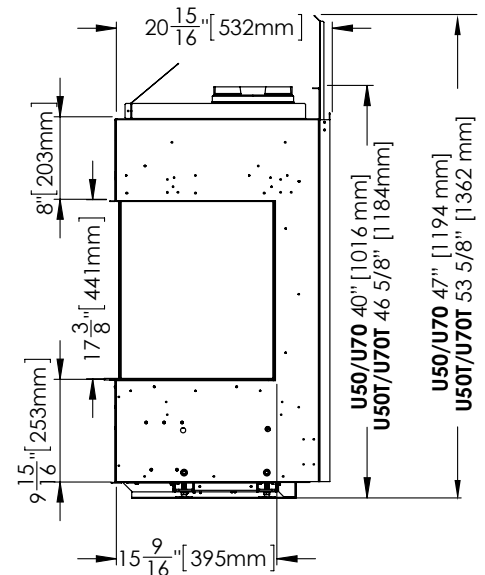
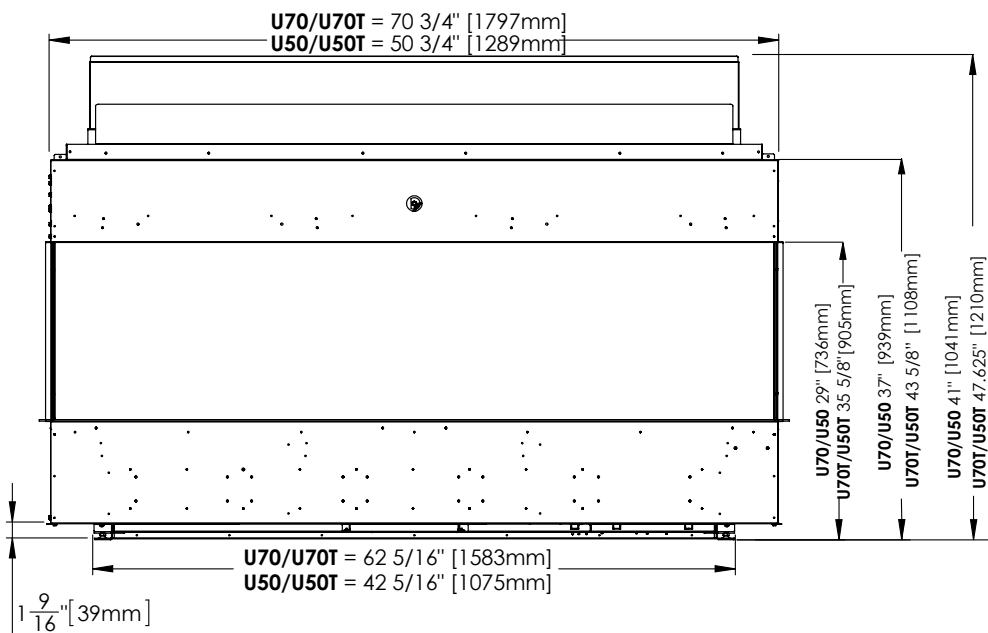
U50T / U70T INSTALLATION GUIDE

Refer to Owner's Manual for specific installation requirements and additional product instructions

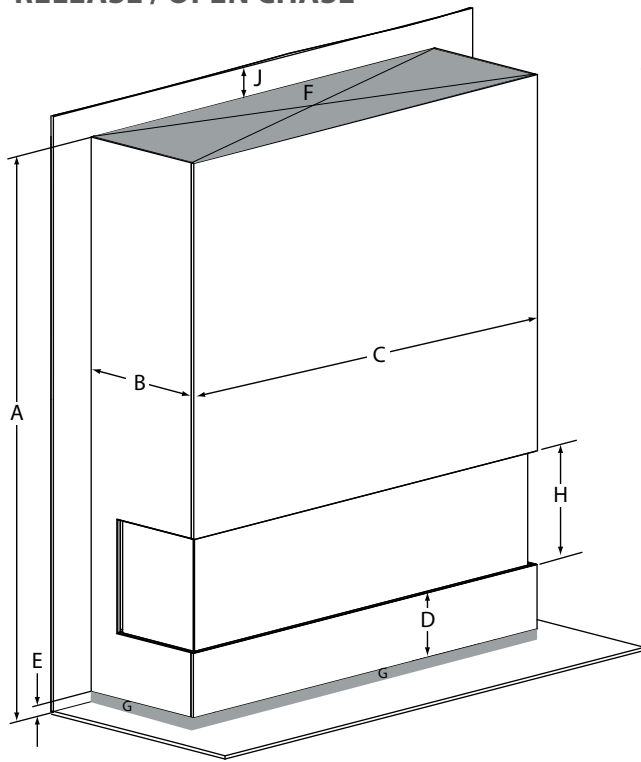


U50T / U70T DIMENSIONS

Note - The U50T and U70T physical dimensions only differ in width



TOP RELEASE / OPEN CHASE



Top only heat release with front & sides intake

CHASE DIMENSIONS & CLEARANCES

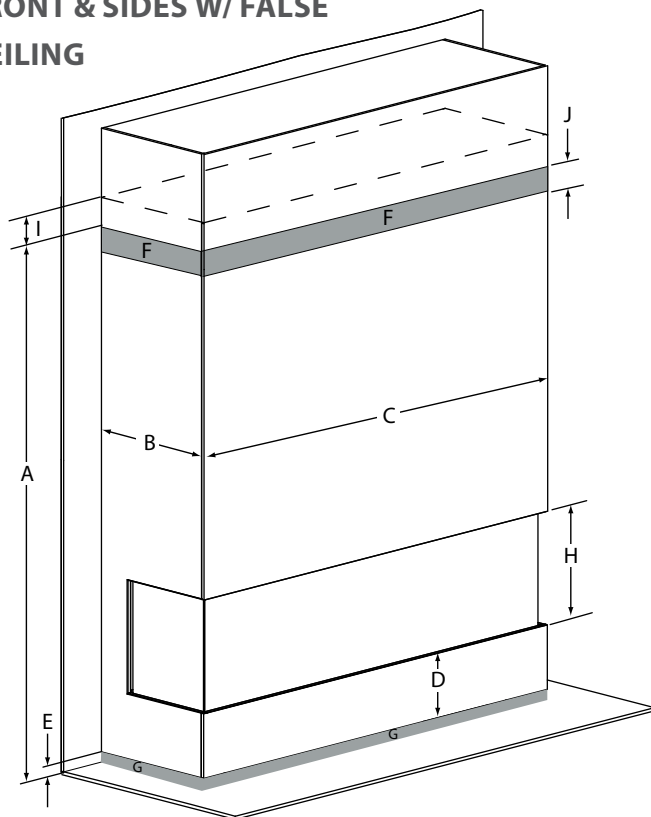
The U50T and U70T fireplaces must be installed with both an intake at the bottom of the chase and a heat release at the top of the chase. A variety of installation styles are permitted as shown in the following illustrations. Refer to Table 1 for the required dimensions corresponding to the letters in the illustrations.

WARNING RISK OF FIRE HAZARD - The minimum dimensions, clearances and areas outlined within this guide **MUST** be followed along with those stated in the Owner's Manual.

TABLE 1

LETTER	DIMENSION
A U50T & U70T	93 1/8" (2365 mm)
B	21" (533 mm)
C (U50T)	50 3/4" (1289 mm)
C (U70T)	70 3/4" (1797 mm)
D	9 15/16" (253 mm)
E	Minimum 1 1/2" (38 mm)
F (U50T)	Minimum 170 in ² (1097 cm ²)
F (U70T)	Minimum 210 in ² (1355 cm ²)
G (U50T)	Minimum 135 in ² (871 cm ²)
G (U70T)	Minimum 165 in ² (1064 cm ²)
H	24" (610mm)
I	0 - 1 1/2" (0-38 mm) Maximum
J	Minimum 2" (51 mm)

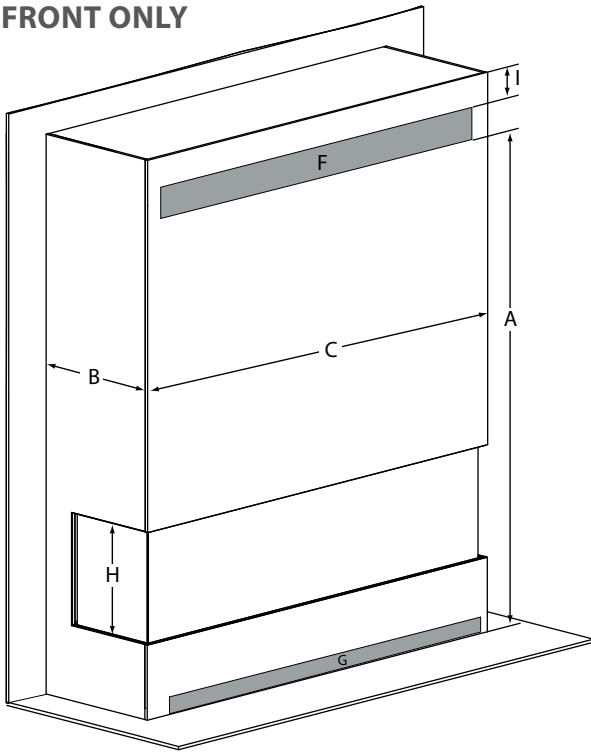
FRONT & SIDES W/ FALSE CEILING



Heat release and intake on front & sides, chase false ceiling

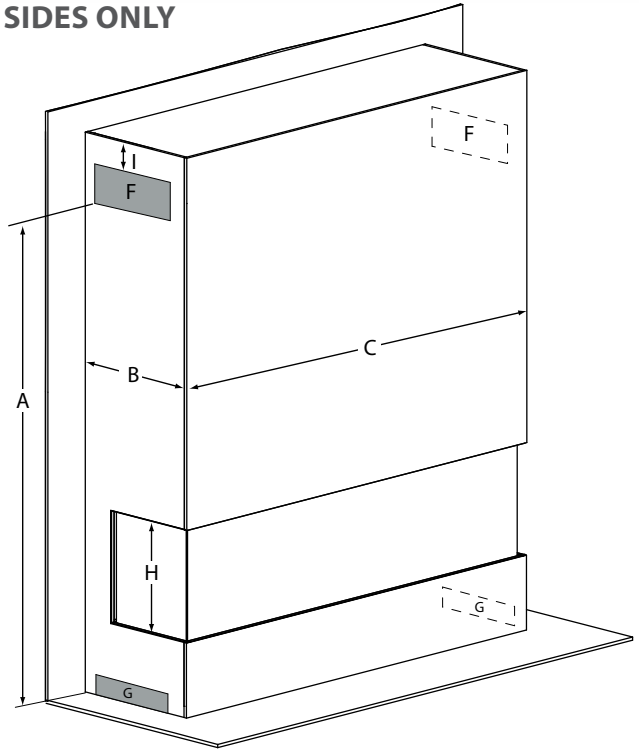
CLEARANCES | FRAMING | VENTING

FRONT ONLY



Heat release and intake on the front of the chase only.

SIDES ONLY

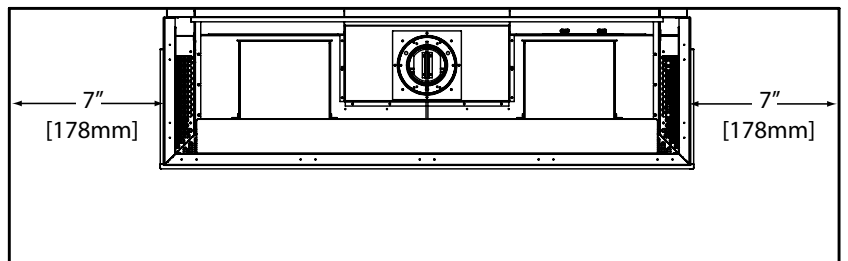


Heat release and intake on the sides of the chase only.
Note - Installations with only 1 side of the chase utilized for either intake or heat release are not permitted.

ALCOVE / SIDEWALL CLEARANCE

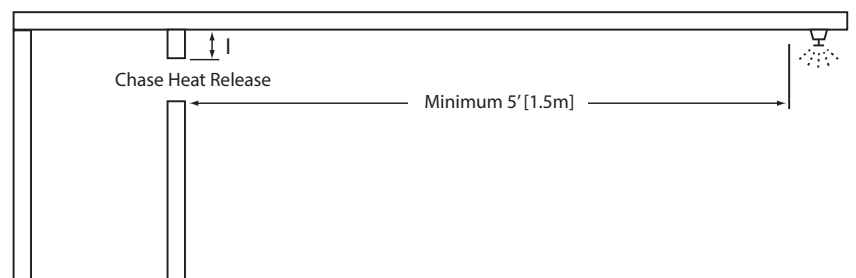
Minimum clearance to a sidewall constructed or finished with combustible material.

Note - Side wall clearance not applicable for closed off side if using corner kit(s).



SPRINKLER CLEARANCES

Minimum clearance to a sprinkler head from the chase heat release in any direction.



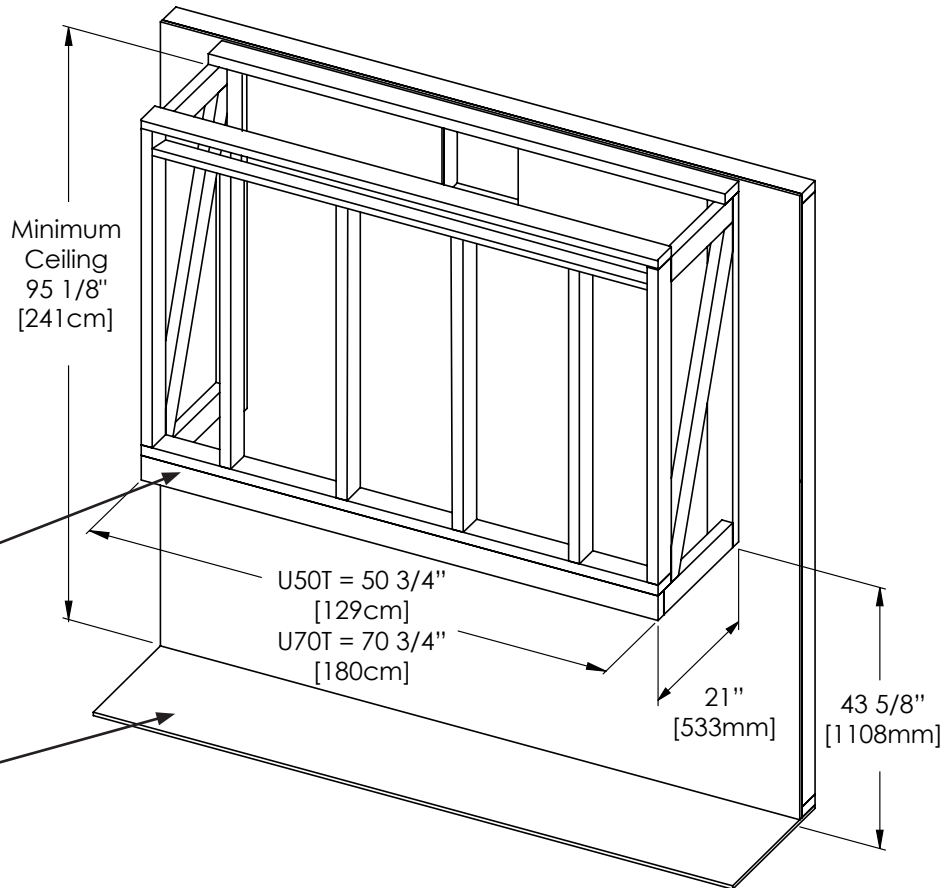
IMPORTANT NOTE: Framing above the fireplace **CANNOT BE CONSTRUCTED** prior to fireplace installation, the fireplace and its required shielding **WILL NOT FIT!**

MINIMUM CHASE FRAMING

All chase framing may be wood 2x4 construction or the like. Combustible material is permitted for any area of the chase and no steel studs are required. Chase may be framed beyond minimum framing for taller ceilings, overhangs etc.

Note - Top of chase must be enclosed, cannot be open to joists or rafters above.

Note - The fireplace is not load bearing and the chase must be constructed to fully support finishing material.



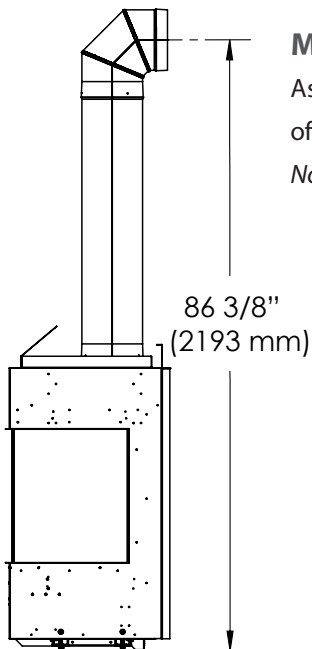
Maximum Front and Side Header depth = 1 1/2" (wood 2x4 on edge)

Fireplace must be installed on a solid plywood or similar floor with a minimum width equal to the fireplace leveling legs

MINIMUM THIMBLE HEIGHT

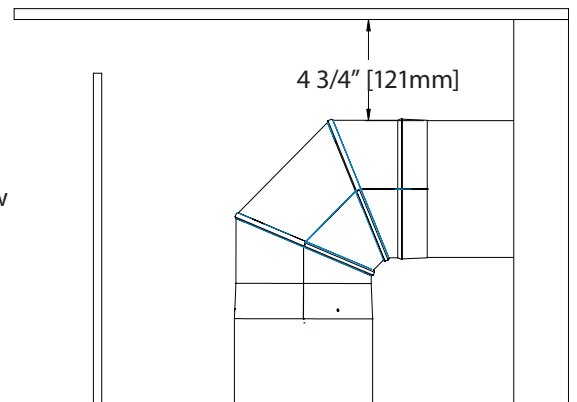
As measured from the bottom of the fireplace to the center line of the vent. The fireplace uses 5" x 8" co-axial rigid or flex venting.

Note - additional adaptors (50-3789) required for flex venting



MINIMUM CHASE ELBOW CLEARANCE

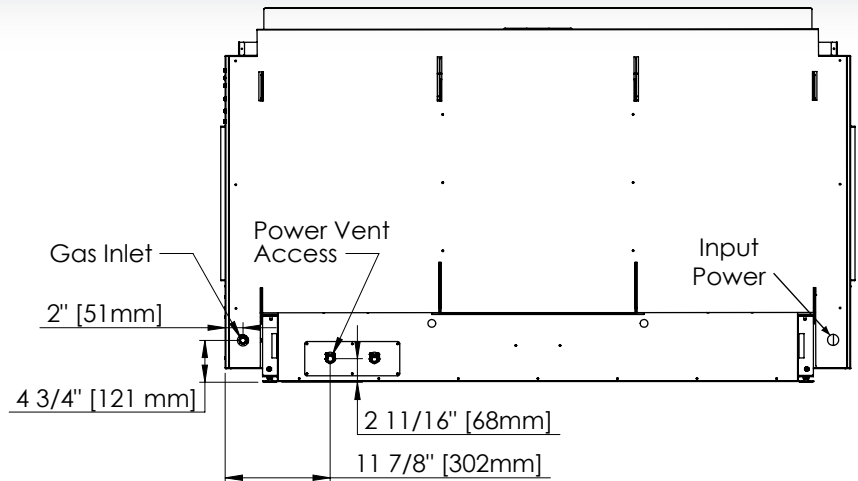
This clearance only applies to an elbow that is located within the chase. Once outside of the chase standard venting clearances apply.



CLEARANCES | FRAMING | VENTING

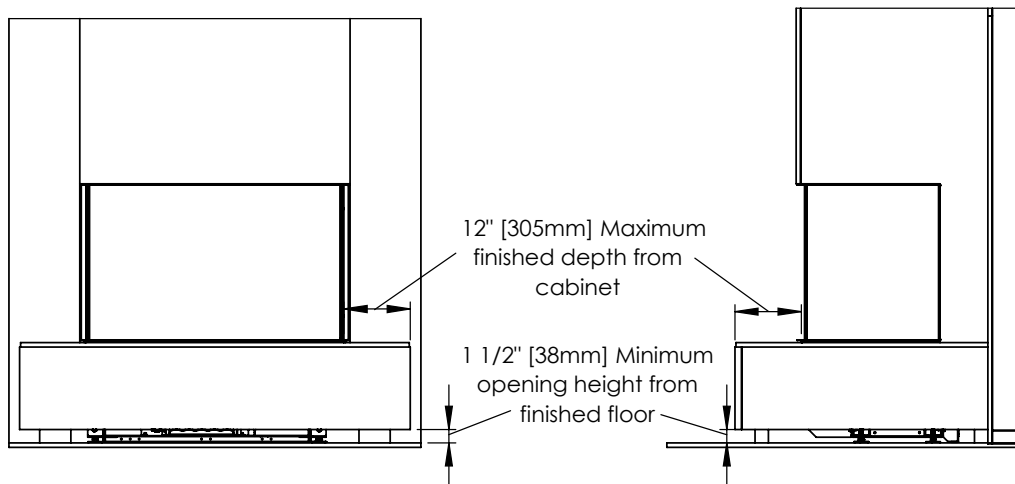
POWER AND GAS

The incoming gas and power connections are located on the left and right on the back of the fireplace as shown. The incoming power junction box is located underneath the left side louver and is removable to aid with wiring.



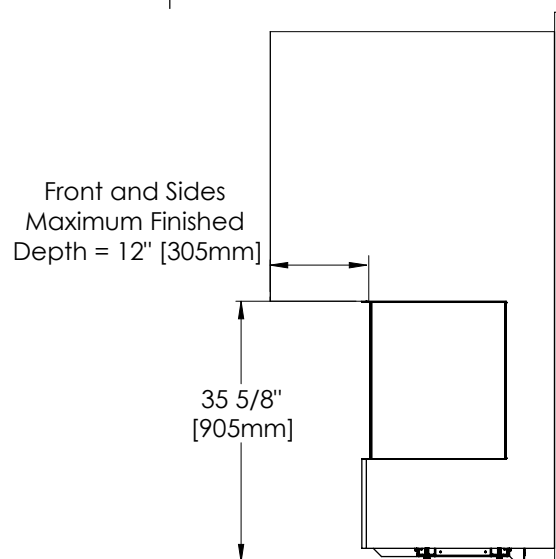
EXTENDED HEARTH / PLINTH

An extended hearth or plinth may be constructed around the base of the fireplace up to the bottom tiling edge. Combustible material is permitted for construction and finishing of the plinth. Alternatively the optional 50-3824 Steel Framing Base Kit can also be used. The finished depth of the plinth cannot exceed 12" [305 mm] and minimum intake dimensions must be maintained. If raising the unit is desired a Flush Framing Base Kit (U50 = 50-4008, U70 = 50-4031) may be used to achieve a rise of 6"-11" off the floor. *Note: 50-3824 & 50-4002/50-4031 cannot be used together*



OVERHANG / MANTLE CLEARANCES

An overhanging chase or mantle may be constructed above the fireplace comprised of combustible framing and finishing material. The maximum finished depth of an overhanging chase or mantle cannot exceed 12" [305 mm]. There is no minimum height restriction and the finished surface can be flush with the top tiling edge.

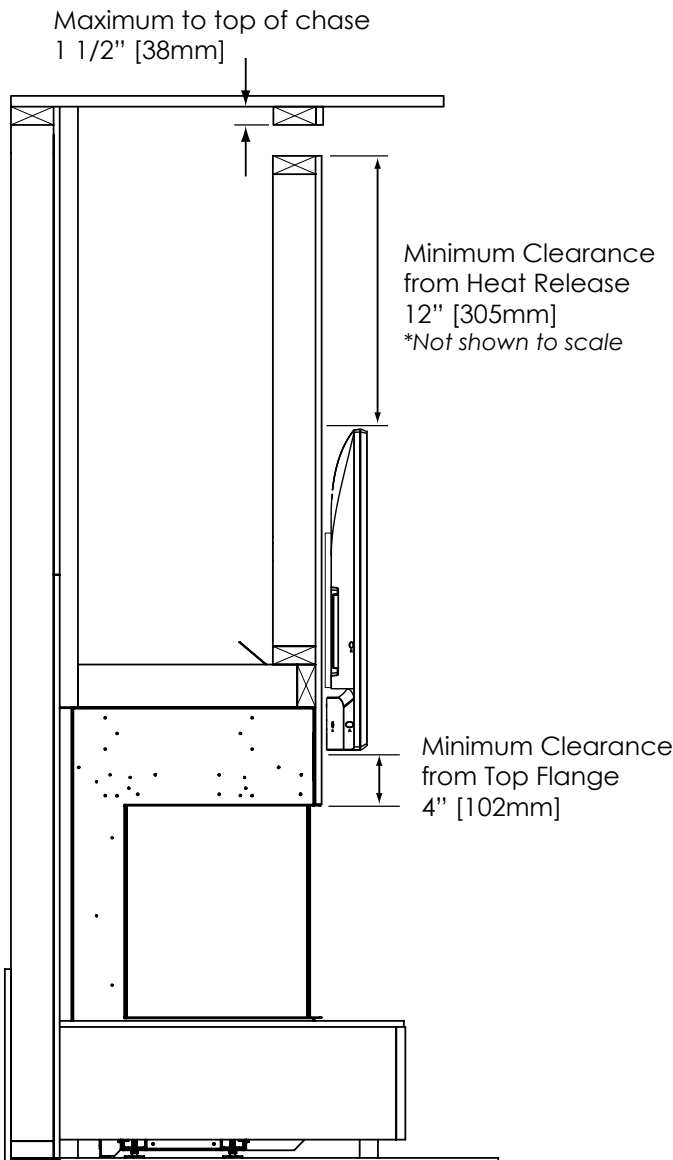


HDTV CLEARANCES

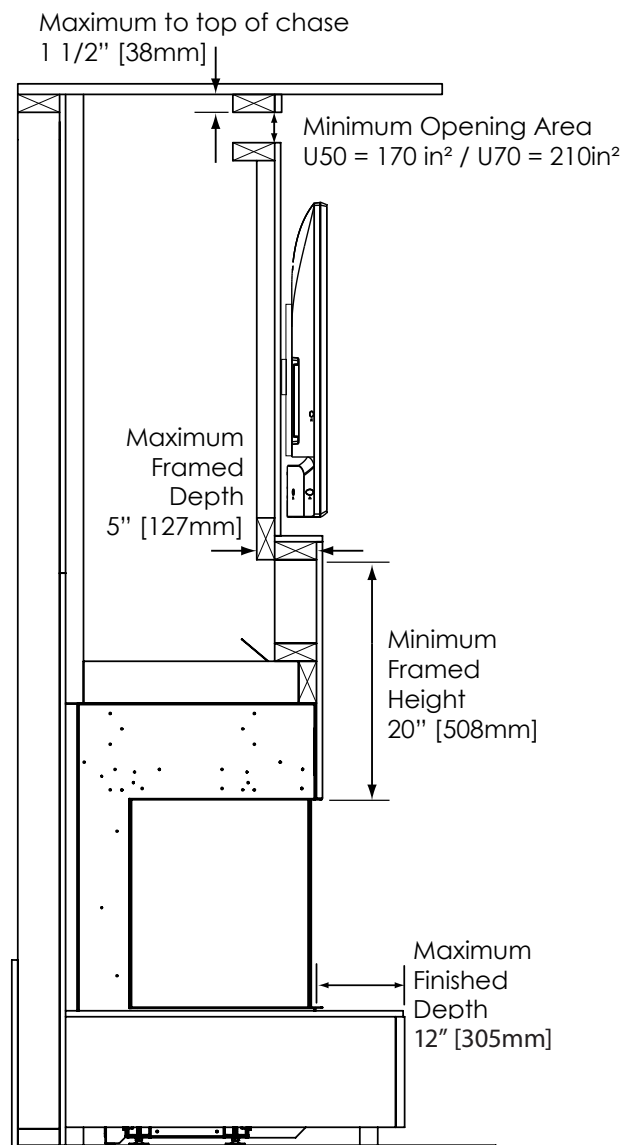
A TV may be installed above the fireplace either on a flat wall or within a shelf or recess as shown below. When flat wall mounting a TV, the minimum permitted height may need to be increased to prevent the mounting screws from penetrating the fireplace cabinet.

It is the responsibility of the home owner to confirm that the TV is within its maximum allowable operating temperature range once installed. Sherwood Industries is not liable for any TV malfunctions or adverse effects that may be incurred.

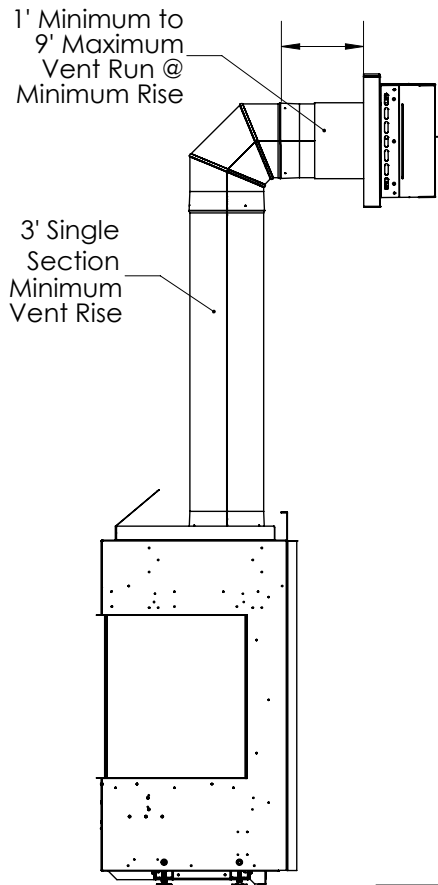
FLAT WALL MOUNTED



SHELF / RECESS MOUNTED



CLEARANCES | FRAMING | VENTING



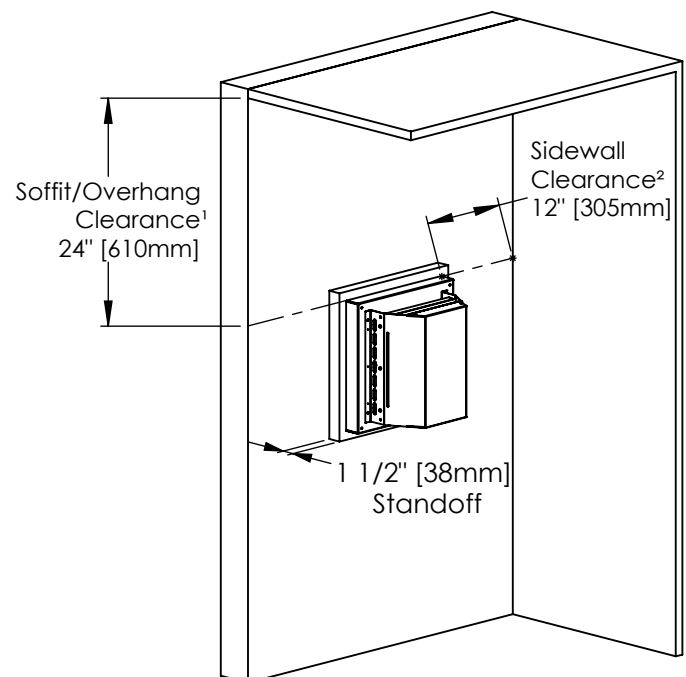
MINIMUM VENTING

The fireplace utilizes 5" x 8" rigid co-axial venting. Alternatively 5" x 8" flex venting may be used when using additional vent adaptors (50-3789). Refer to the Owner's Manual for more detailed venting and restriction information.

HORIZONTAL TERMINATION CLEARANCES

The clearances shown in the illustration must be followed when horizontally terminating the fireplace. Additionally, a termination guard must be used when the termination is installed in an area where it could be contacted. Only high wind terminations are permitted for installation.

Note - Termination clearances not applicable for power vent installations. See power vent manual.



¹ Soffit measured from top of the termination

² Sidewall measured from side of the termination



urbanafireplaces.com

Manufactured by Sherwood Industries Ltd. • Victoria, BC, Canada
Printed in Canada.